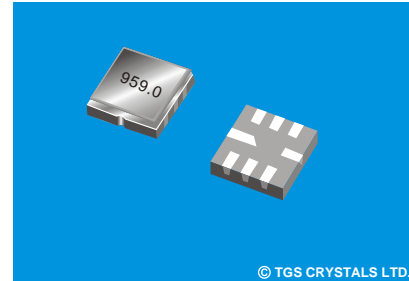


FEATURES

- The SF959-M3 is a low-loss, economical surface-acoustic-wave (SAW) filter
Centre Frequency is 959.0MHz

APPLICATIONS

- Communication



© TGS CRYSTALS LTD.

SPECIFICATION *

Parameters	Product	Option Code
	SF	SF
Centre Frequency(f_c) :	959.000MHz	▲ 959.000
Operating Temp. Range:	-10°C~+60°C	▲
Storage Temp. Range:	-45°C~+85°C	▲
Maximum Insertion attenuation(α_{max}):	958~960MHz:4.5dB Max.	▲
Amplitude ripple (p-p)($\Delta\alpha$):	958~960MHz:2.0dB Max.	▲
Absolute attenuation(α):	913~915MHz:30dB Min.	▲
Tem. Coefficient of frequency(T_{cr}):	-30ppm/K	▲
Input Signal Level:	5dBm	▲
DC Permissive Voltage:	0V	▲
Operating Temp. Range:	0°C~+55°C	▲
Storage Temp. Range:	-40°C~+85°C	▲
Holder Type:	5.0X5.0X1.35mm	△ M3
Package:	Taper/Reel	△ T

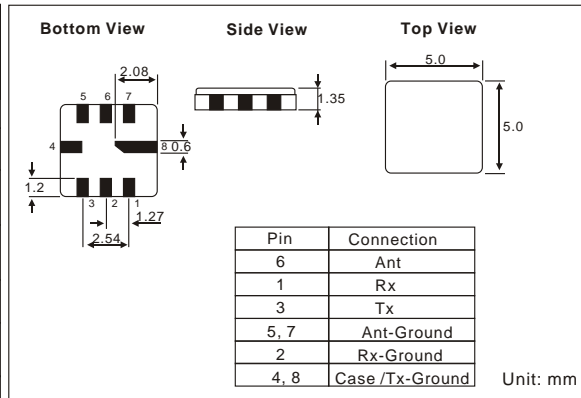
▲ Standard * Specifications Subject to Change Without Notice
 △ Optional: please specify required code when inquiring or ordering
 △ Note: Electrostatic sensitive device. Observe precautions for handling

PART NUMBER GUIDE

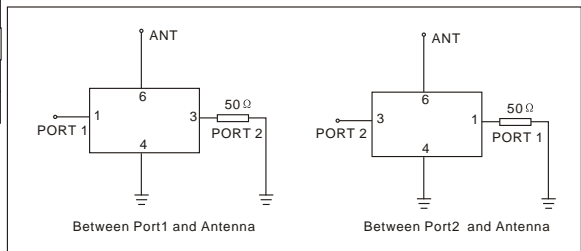
TGS	SF	959	M3	T
Mark	SAW Filters	Centre Freq.	Holder Type	Package

e.g. TGS SF 959.0 M3 T

DIMENSIONS



TEST CIRCUIT



PACKAGE

- Standard package in T/R: 3000pcs/Reel, 2Reel/box, 5box/Carton
See page 182 for detail dimensions

