

MAIN FEATURE

- Ultra stable • Wide Temp. Range and Fast Warming-up

APPLICATION

- Base Stations • Instrumentations

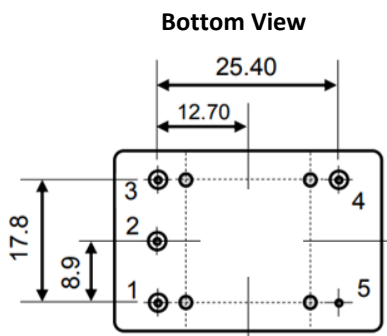
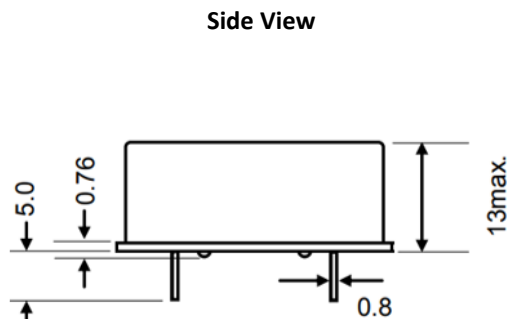
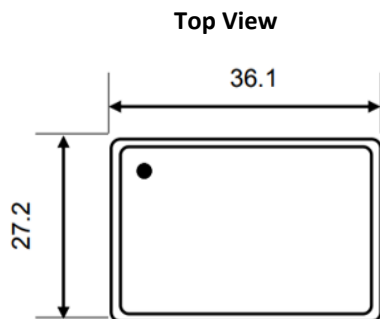


L36.0*W27.0*H13.0mm

STANDARD SPECIFICATION

Parameter	Value			Unit	Condition	
	Min.	Type	Max.			
Supply Voltage	-	3.3	-	V	5.0V/12.0V or specify	
Power Consumption	-	-	5	W	During Warming-up	
	-	-	1.5	W	Steady @25°C & still Air	
Frequency Range	2.00~100.00			MHz	see P/N guide or specify	
Nominal Frequency	10.0/12.288/38.88			MHz		
Initial Frequency Tolerance	-	-	±100	ppb	@shipment, nominal EFC	
Freq. Stability Vs. Temp	-0.8	-	0.8	ppb	@-40°C ~+85°C	
Sine Wave	Output Level	7	-	-	dBm	
	Harmonica	-	-	-35	dBm	
	Spurious	-	-	-70	dBc	
	Load	-	50	-	Ω	
HCMOS	VOH	2.4	-	3.5	V	LVTTTL Output, Load=15pf
	VOL	0.4	-	0.5	V	LVTTTL Output, Load=15pf
	Duty Cycle	45	-	55	%	(VOH - VOL)/2
	Rise/Fall Edge	-	-	6	ns	LVTTTL Output, Load=15pf
	Load	-	15	-	pF	
Short-term Stability(1S)	-	-	5×10 ⁻¹²		Test after 15 Min.	
Timing Accuracy	-	-	24	us	Test after 24 Us.	
Warm-up Time	-	-	10	Min.	At +25°C, with accuracy of ±5ppb	
Supply Sensitivity	-	-	±5	ppb	Vcc±5%	
Load Sensitivity	-	-	±5	ppb	Load±5%	
Aging per Day	-	-	±0.5	ppb	After 30 days of operation	
Aging per Year	-	-	±50	ppb	After 30 days of operation	
SSB Phase Noise @10MHz	-95	-	-	dBc/Hz	Offset 1Hz	@25°C
	-125	-	-		Offset 10Hz	
	-140	-	-		Offset 100Hz	
	-145	-	-		Offset 1KHz	
	-145	-	-		Offset 10KHz	
Control Voltage Range	0	-	5	V		
Frequency Turning Range	±125	-	±250	ppb	(Fixed frequency option available)	
Operating Temperature Range	-40		+85	°C	Or specify	
Storage Temperature Range	-55		+125	°C		

DIMENSION (+/-0.1mm)



Pin Function

- #1 V con or NC
- #2 V ref (Ref. Voltage) or NC
- #3 VDC
- #4 Output
- #5 GND

PART NUMBER GUIDE

Example: TGS O362703DGS BLF-10M000

[Part Number and Part Code Structure](#)

TGS	O	3627	03	D	G S	B LF XX	-10M000
1	2	3	4	5	6 7	8 9 10	11

- 1) TGS: Company Code
- 2) O: OCXO
- 3) 3627 Holder type Outline: 3627: L36.0*W27.0*H13.0mm
- 4) 03: Supply Voltage: 12: 12 V; 05: 5.0V; 03:3.3V
- 5) D: Temperature Stability: D: ±20ppb; C: ±10ppb; B: ±5ppb; A:±3ppb or specify
- 6) G: Operating Temp. Range: H: -0~70 °C; E: -10 ~+60°C; F: -20 ~+70 °C; G: -40 ~+85 °C or Specify
- 7) S: Output: S: Sine Wave; L: LVTTTL; H: HCMOS
- 8) B: Packed in Bulk
- 9) LF: RoHS Complaint
- 10) XX: Internal Control Code- 2 letter or digits ; Blank: N/A
- 11) 10M000: Frequency Range in MHz 10.0000MHz or Specify