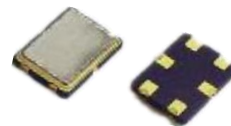


Revised on 02/01/2021



L7.0*W5.0*H1.3mm

SPECIFICATION SHEET

No.: A-N0201MCF75-21.40MHZ

DESCRIPTION: Crystals Filter,21.400MHz, 6 Pads, 4 pole, Ripple : 2.0dB Max.
 Operating Temp. Range -30°C ~+85°C
 Tape/Reel, RoHS compliant

HOLDER TYPE: MCF75 Series, L7.0*W5.0*H1.3mm

FREQUENCY RANGE: 21.4000MHz

CUSTOMER:

CUSTOMER P/N.:

CROSS REFERENCE P/N:

PART NUMBER TGS MCF75 21.4MA4 TLF

PART CODE



Crystals & Oscillators

TGS Crystals Ltd.

One Stop, More Sources !

Customer Only

This Specification Sheet is signed and confirmed by:

Date:

***Please sign this page and return by e-mail

Supplier Only

| | | |
|------------|-------------|--------------|
| Issued by: | Checked by: | Approved by: |
| 高莹 | 章妮 | |
| Yin. G. | Ruby Z. | Jack .Z |

**General Contact: sales@tgscrystals.com

Main Fetaure

- Cross main competitors parts.
- Industry standard

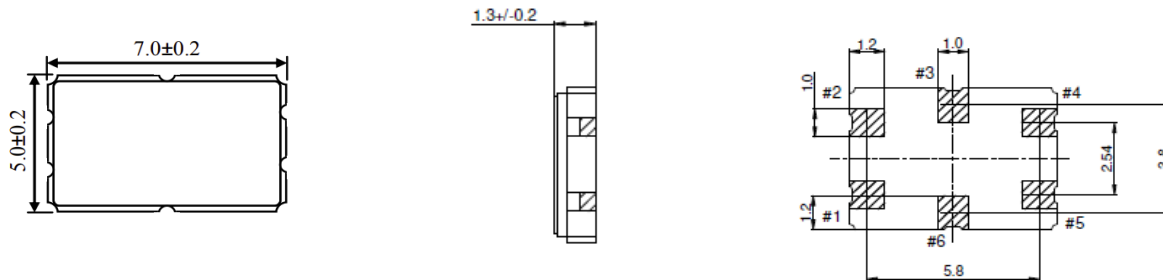
Application

- Communication Equipment
- Measurement Instrument etc.

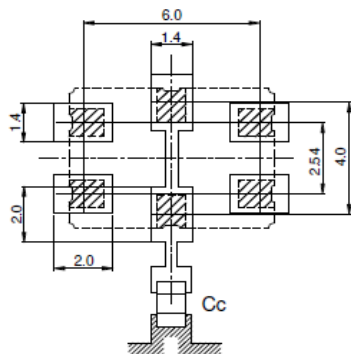
Standard Specification

| Parameter | Value | | | Unit | Condition | |
|-----------------------------|--------|--------|-------|------|-----------|----------|
| | Min. | Type | Max. | | | |
| Frequency Range | - | 21.400 | - | MHz | | |
| Pass band | +/-25 | | | KHz | @3 dB | |
| | +/-8.0 | | | KHz | @6 dB | |
| Stop Band | - | | +/-70 | KHz | @40 dB | |
| | | | +/-30 | KHz | @60 dB | |
| Operating Temperature Range | -30 | - | +85 | °C | | |
| Storage Temperature Range | -30 | | +85 | °C | | |
| Insertion Loss | - | - | 3.0 | dB | | |
| Ripple | | | 2.0 | dB | | |
| Spurious | 40 | | | dB | | |
| Input level | | -10 | | dBm | | |
| Attenuation Guaranteed | 80 | - | - | dB | | |
| Terminal Impedance | - | 2200 | - | ohm | | +/-10% |
| Insulation Resistance | 500 | | | mohm | | @DC 100V |

Outline Dimensions (Unit:mm)

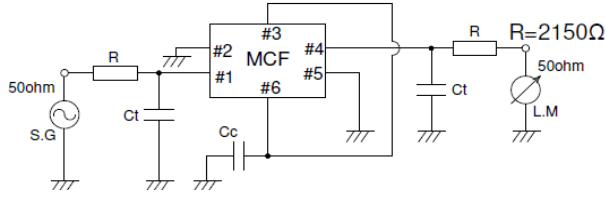


Land Pattern (Only for reference)



| Pin No. | Connection |
|---------|-----------------|
| #1 | INPUT |
| #2 | GND |
| #3 | Connect with #6 |
| #4 | OUTPUT |
| #5 | GND |
| #6 | Connect with #3 |

Test Circuit



Ct=0.3pF
Cc=4.5pF

Part No. Guide

| | | | | | | | | |
|-----|-----|----|--------|---|---|---|----|----|
| TGS | MCF | 75 | -21.4M | 4 | A | T | LF | XX |
| 1 | 2 | 3 | 4 | 5 | 6 | 7 | 8 | 9 |

- 1) TGS: Company Code
 - 2) MCF: MHz Crystal Filter
 - 3) 75: Dimension, L7.0*W5.0*H1.3mm
 - 4) 21.4M: Frequency range , 21.4000MHZ
 - 5) 4: Pole : 4
 - 6) A: Specification Code
 - 7) T: Package in Tape/Reel
 - 8) LF: RoHS Compliant
 - 9) XX: Intenal Control Code, Blank: N/A; 2 Letter A~Z for internal control code
- Full p/n.: **TGS MCF75 21.4M4A TLF**

Part Code Guide

| | | | |
|----|----------|---|-----|
| FW | 21M40000 | S | 100 |
| 1 | 2 | 3 | 4 |

- 1) FW: part family Code for Part No. MCF75
 - 2) 21M40000: Frequency range code for 21.400MHZ
 - 3) S: SMD type Code
 - 4) 100: Specification code for part no. **TGS MCF75 21.4M4A TLF**
- Please indicate part Code FW21M40000S100 when you order

Disclaimer

TGS Crystals Ltd. reserves the right to make changes to the product(s) and or information contained herein without notice. No liability is assumed as a result of their use or application.No rights under any patent accompany the sale of any such product(s) or information