

MAIN FEATURE

- Extra SMD Package, 3 pads
- Built-in Capacitance
- Low Cost and short lead time

APPLICATION

- Clock oscillators for microprocessors
- Small electronic equipment and more



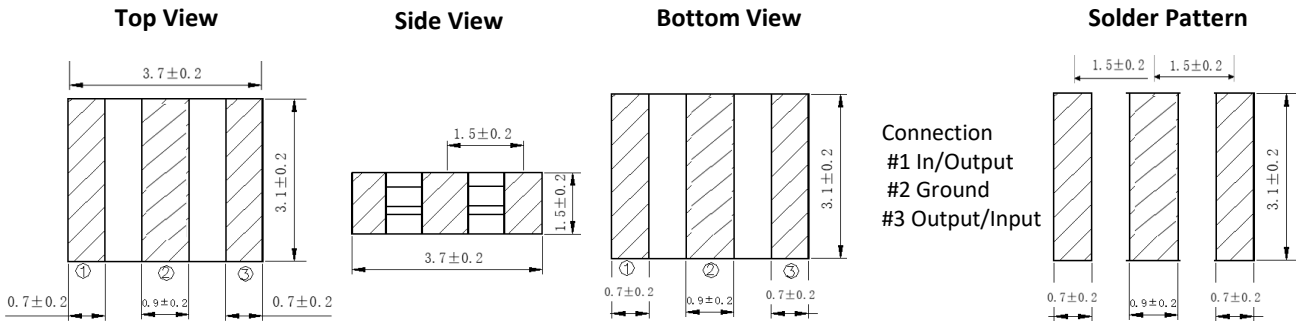
L3.7*W3.1*H1.5mm

STANDARD SPECIFICATION

| Parameter | Value | | | Unit | Condition |
|-----------------------------|------------------------------------|------|-------|------|---|
| | Min. | Type | Max. | | |
| Frequency Range | 8.00 | | 60.00 | MHz | see p/n guide or Specify |
| Frequency Accuracy | | ±0.5 | | % | @25 °C |
| Operating Temperature Range | -25 | - | +85 | °C | |
| Storage Temperature Range | -55 | - | +85 | °C | |
| Built-in Capacitance | | 30 | - | pF | MT(8.00~13.00MHz)/MX (16.00~20.00MHz) |
| | | 15 | - | | MX: 20.01~25.99MHz |
| | - | 5 | - | | MX: 26.00~60.00MHz |
| Temperature Coefficient | - | ±0.3 | - | % | Oscillation Freq. drift @-25 °C ~+85 °C |
| Resonant Impedance | - | - | 40 | ohm | |
| Aging per year* | - | - | ±0.3 | % | From initial value |
| Withstanding Voltage | | 50 | | V | DC, 5s Max. |
| Insulation Resistance Ri | 500 | | | MΩ | 10V, 1min |
| Rating Voltage UR | | 6 | | V | DC |
| | | 15 | | V | p-p AC |
| IC | MX: 1/6TC74HCU04. MT: 1/6TC4069UBP | | | | |

* Parts shall be left in a chamber of +85 °C ±2°C for 1000 hours, then measured after leaving in natural condition for 1 hours.

DIMENSION (mm)



Connection
 #1 In/Output
 #2 Ground
 #3 Output/Input

PART NUMBER GUIDE

Example: TGS CRTV 16.0MX TLF

Part Number and Part Code Structure

| | | | | | | | | |
|-----|----|---|---|------|----|---|----|----|
| TGS | CR | T | V | 16.0 | MX | T | LF | XX |
| 1 | 2 | 3 | 4 | 5 | 6 | 7 | 8 | 9 |

- 1) TGS: Company Code
- 2) CR: SMD Ceramic Resonator
- 3) T: Built-in Capacitance , 3 Pads, different value pF for frequency range
- 4) V: Outline Dimensions L3.7*W3.1*H1.5mm
- 5) 16.0: Frequency Range in MHz, 16.000MHz or Specify
- 6) MX: Design Mode for different Frequency range; MT: 8.00~13.00MHz; MX:16.00~60.00MHz
- 7) T: Package in Tape/Reel, 4000pcs/Reel
- 8) LF: RoHS Compliant
- 9) XX: Internal Control Code; Blank: N/A

TGS Crystals Ltd. reserves the right to make changes to the product(s) and or information contained herein without notice. No liability is assumed as a result of their use or application. No rights under any patent accompany the sale of any such product(s) or information